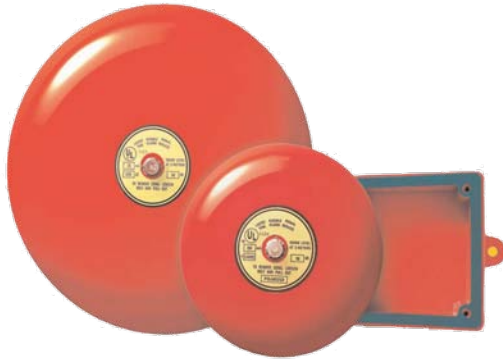


# Fire Alarm Bell

**VF4033-10** (6" Housing)

**VF4034-10** (10" Housing)



## Standard Features

- Available in 24VDC
- Available in 6" or 10" housing
- Four wire 24VDC or 120VAC operation
- High dbA output
- Mounts to a standard 4" square electrical box UL listed for outdoor use when used with the VF4035-10 back box
- 18 AWG wire leads
- Available in red metal finish
- Meets UL464 requirements

## Product Overview

- The VES Series provide durable and dependable operation required for life safety alarm systems.
- Alarm bells are low current, high decibel notification appliances for use in fire and burglary systems or other signaling applications. The Bell is available in 24VDC.
- The VES Series is available in 6" or 10" housing and listed for indoor and outdoor applications. Bells must be used with the VF4035-10 box for outdoor use.
- The VES Series is UL 464 listed and the units are warranted for 3 years from the date of purchase.

## Ordering Codes

Part number	Description
<b>VF4033-10</b>	Fire Alarm Bell in 6" housing
<b>VF4034-10</b>	Fire Alarm Bell in 10" housing
<b>VF4035-10</b>	Fire Alarm Bell mounting box for outdoor use

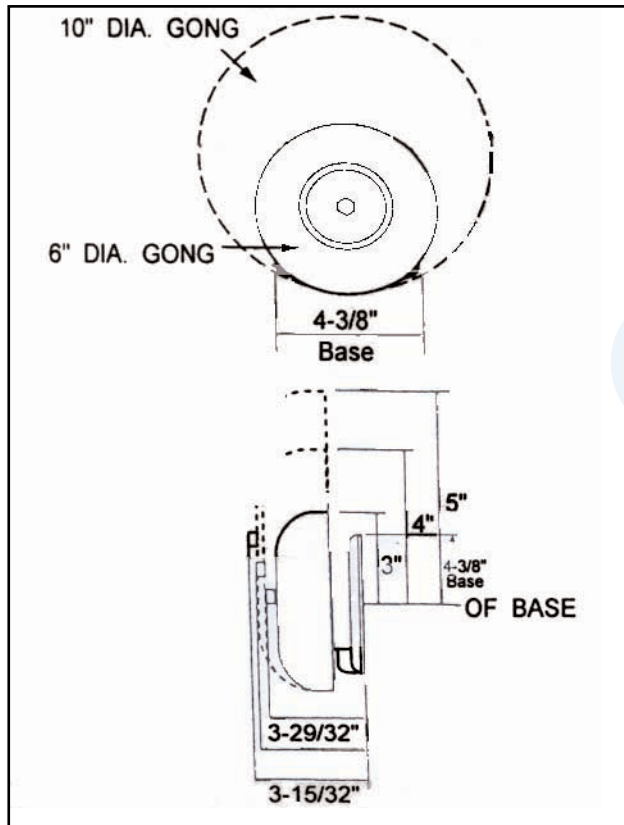
## Technical Specifications

**Voltage:** 24V DC

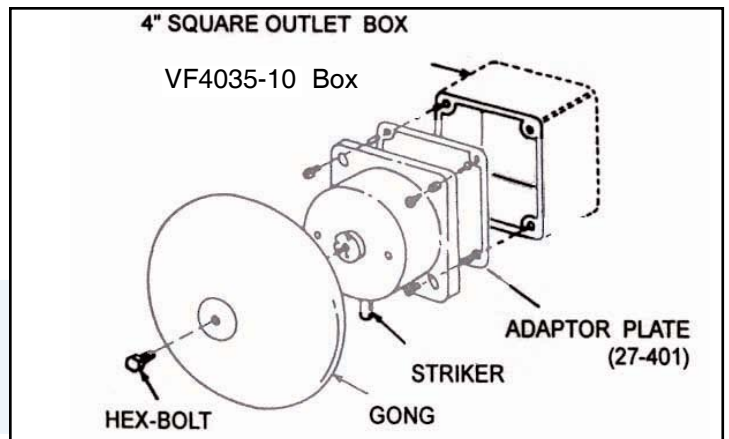
**Current Draw:** 10mA

**dBA @ 10ft - VF4033-10:** 95  
- **VF4034-10:** 96

**Dimensions**



**Mounting**



**Wiring Diagrams**

